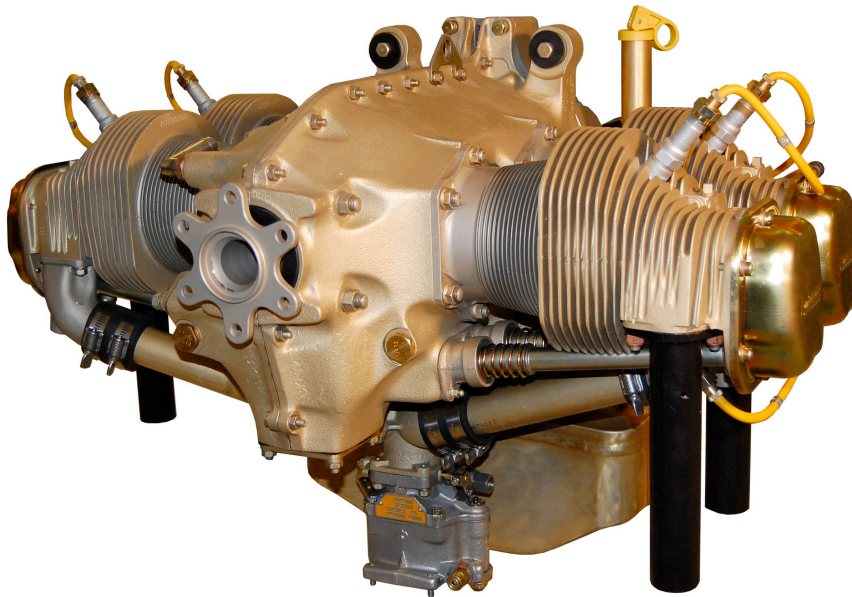


# O-200 Lightweight Aviation Engine

## ENGINE SPECIFICATIONS



Engine Model	O200 Lightweight
Brake Horsepower	100
Rated Engine RPM	2750
Recommended Cruise	75 bhp @ 2500 rpm
Compression Ratio	8.5:1
Firing Order	1-3-2-4
Bore (Inches)	4.06
Stroke (Inches)	3.88
Piston Displacement (Cu. In.)	201
Fuel Control System	Carbureted
Dry Weight Installed	199
Height (Inches)	23
Width (Inches)	31
Length (Inches)	28

## ENGINE FEATURES

**\$21,499 List Price**

**199 Pound Dry Weight!**

[FAR 33 Certified !](#)

[Made in the U.S.A!](#)

[Lightweight Crankshaft](#)

[Balanced Connecting Rods](#)

[Lightweight Cylinder Design](#)

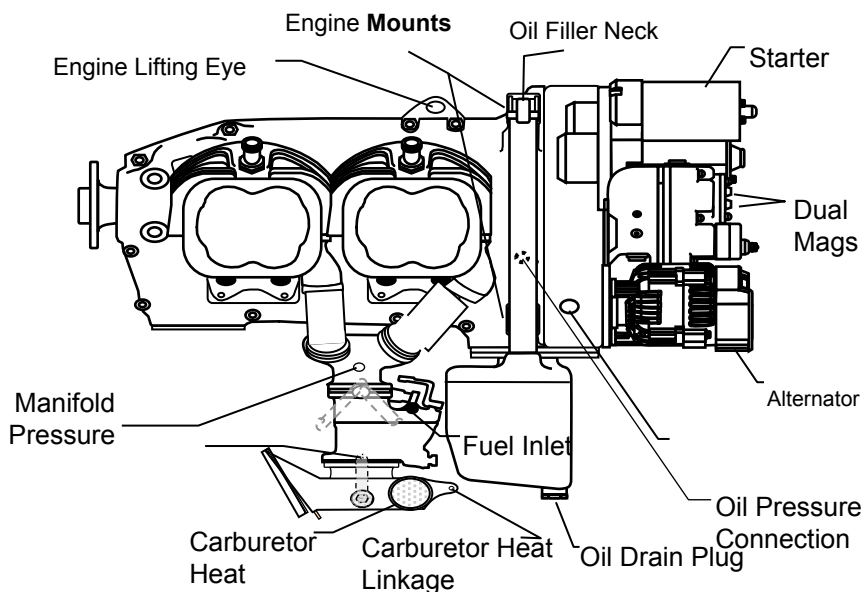
[Precision Crankshaft](#)

[Light Weight Camshaft](#)

[Spin-On Oil Filter](#)

[Redundant Magneto Ignition](#)

**Competitor's Cores Accepted!**



**CONTINENTAL MOTORS**

P.O Box 90 Mobile Alabama 36601 • 251-438-3411 • [www.genuinecontinental.aero](http://www.genuinecontinental.aero)